

ROUNDING IN DIMENSIONS MAY VARY AND ARE SUBJECT TO CHANGE- NO RESPONSIBILITY IS ASSUMED FOR USE OF SUPERCEDED OR VOIDED DATA



WWW.POOLSHOWER.COM
1-866-SHOWER1

MODEL NUMBER:

FSFS - 200 - CHV

JOB NAME :

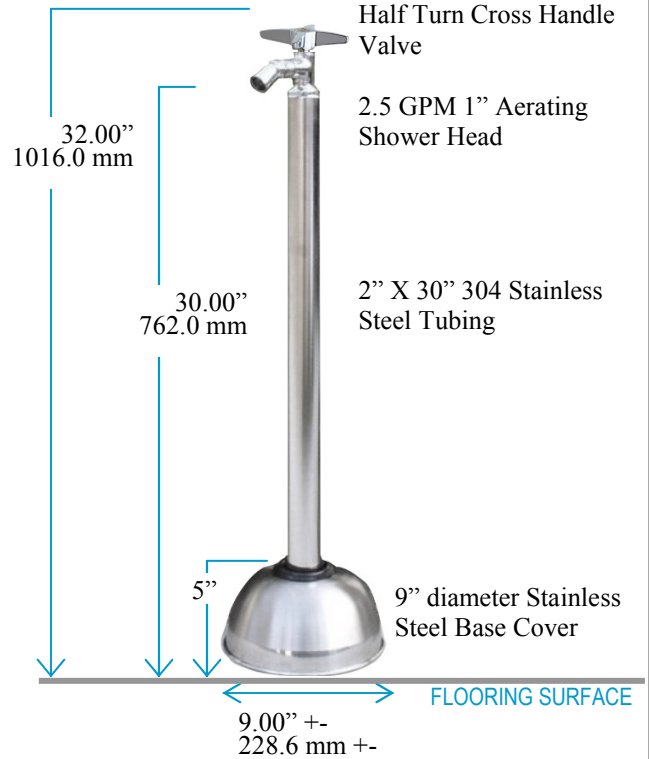
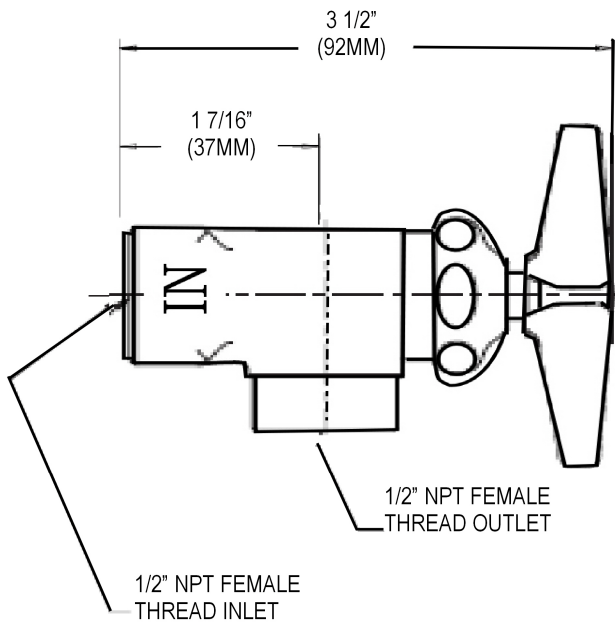
ITEM NO.

SUBMITTED AS SHOWN:

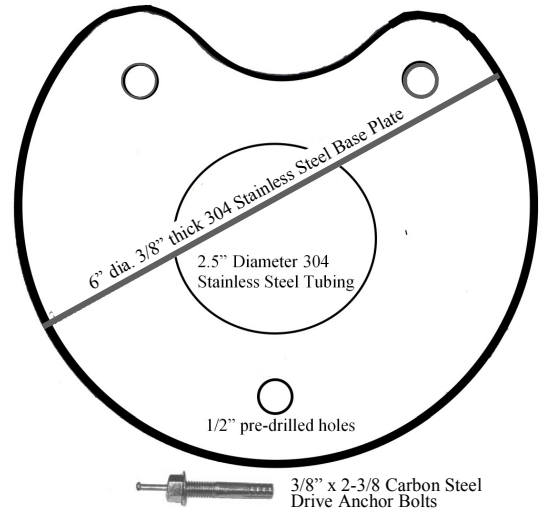
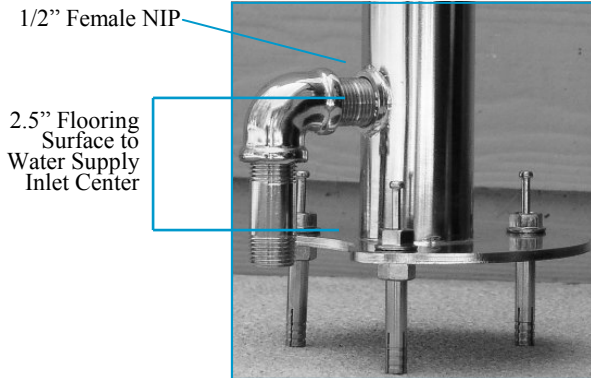
SUBMITTED AS NOTED :

SEE ATTACHED FOR SUBMITTED MODIFICATION :

CROSS HANDLE ANGLE VALVE



Suggested Water Line Connection



TECHNICAL DATA:

- FREE STANDING UNIT
- ASME A112.18.1 COMPLIANT
- 304 STAINLESS STEEL BASE
- CSA B125 COMPLIANT
- CHROME PLATED BRASS ANGLE VALVE
- CSA B 64.2 COMPLIANT
- 1\" AERATING SHOWER HEAD
- 1/2\" X CLOSE SS NIPPLES
- CARBON STEEL DRIVE ANCHOR BOLTS

DATE:

BY:

CHCKD:

APP'D:

REV:

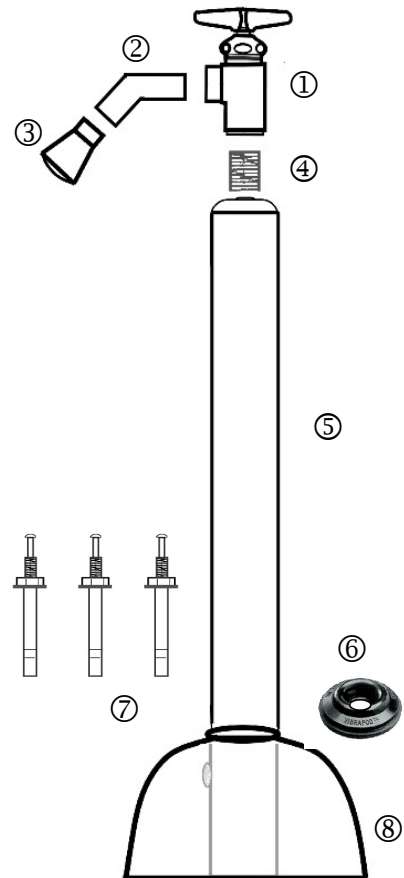
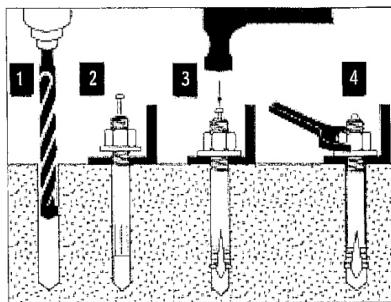
FSFS-200-CHV INSTALLATION

1. Stand the unit at the desired location for installation.
2. Using the base plate as a guide, mark the placement of the drill holes. Drill 3, 3/8" holes, 3" deep. Place unit in position, lining up base plate holes with drilled holes.
3. Insert anchor bolts in holes with washer and nut at plate surface. (Additional stainless steel washers may be used under base plate if needed for leveling.)
4. When bolts are in place and unit is leveled, hit the pin of the bolt with a hammer, locking it into place. Tighten nuts.
5. Connect the water supply to the 1/2" female inlet located at 2.5" center above the base plate.
6. Slide base cover and rubber grommet down 2" base pipe.
7. Attach 1/2"XClose Nipple to top of shower base using Teflon Tape.
8. Attach Angle Valve to 1/2"XClose Nipple using Teflon Tape.
9. Attach 45° Nipple to Valve opening using Teflon Tape.
10. Attach Shower Head to 45° Nipple. Teflon Tape is not needed.

FSFS-200-CHV PARTS LIST:

- ① Cross Handle Chrome Plated Brass Angle Valve
- ② Stainless Steel 45° Nipple
- ③ 1" Chrome Plated Brass Aerating Shower Head
- ④ 1/2"XClose Stainless Steel Nipple
- ⑤ 2" X 30" Stainless Steel Sanitary Tubing
- ⑥ Rubber Grommet
- ⑦ 3/8" X 2-3/8 Carbon Steel Drive Anchor Bolts (3)
- ⑧ 9" Diameter Stainless Steel Base Cover

Anchor Bolt Installation



NOTE: Flush supply lines before installing valve to remove chips and dirt which can become lodged in the seat washer and cause the faucet to malfunction.

WINTERIZING: It is recommended that a shut-off valve be installed in the water line going to the pool shower connection where freezing temperatures can occur. Accessories can be removed and other parts partially disassembled for complete protection against freeze damage.

FREEZE DAMAGE IS NOT COVERED BY THE WARRANTY.