

WMHC-445-DLX - Wall Mount Hot & Cold Shower Hand Spray & Hose - 6" Shower Head

The Pool Shower, Inc.
Dallas, Georgia
www.poolshower.com—1-866-shower1



Manufacturers of Quality Stainless Steel Showers

Accessories may vary due to availability and slight modifications by the manufacturer.



WMHC-445-DELUXE PARTS LIST:

- | | |
|-------------|--|
| ① SHDA-6 | 6" Chrome Plated Brass Shower Head - 2.5 GPM - Pivotal Ball Joint |
| ② ST-90-3/8 | 3/8" Street 90 - Chrome Plated Brass |
| ③ SR-44-90 | Riser - 1/2"x 39" 304 sch 40 Stainless Steel - 90° bend—TBE |
| ④ WB-2 | Wall Bracket & Flange - Length: 2", DIA.: 2" - Stainless Steel - Phillips Oval Head Screw (2) - size #8, length: 1-1/2 - Socket Point Type Set - Screw Thread Size: 1/4-20 |
| ⑤ SV-45 | Straight Valve Diverter |
| ⑥ DIVTR | 6" Stainless Steel Diverter w/3/8 FPT |
| ⑦ ST-90-1/2 | 1/2" Street 90 - Chrome Plated Brass |
| ⑧ KT-P | Hand Spray Bracket - 1/4" Stainless Steel Rod - 3 1/4" X 1 3/4" |
| ⑨ BA1 | Union Adapter - 1/2" - 14 NPT Female Inlet—Chrome Plated Brass |
| ⑩ NW-78 | 7/8" Nylon Washer |
| ⑪ SDV-372-8 | Hot & Cold Stainless Steel Valve - 8" Center—ADA Compliant Lever Handles |
| ⑫ HS-0108 | Hand Spray - Ergonomic Trigger Handle - Built in Check Valve |
| ⑬ HS-83-58 | 58" Flexible Stainless Steel Hose |

WMHC-445-DLX Installation Guidelines

Recommended Shower Head Height: 78"

Water Supply Line threads should be exposed through wall and roughed in at 40"- 41" from flooring surface with 4 to 8 inch spread.

1. With about 1" of water line threads exposed, place trim flanges over pipes.
2. Secure supply arms to piping. Position them as close as possible to desired location to mount faucet.
3. **NOTE:** Flush supply lines before installing valve.
4. Attach Supply Arms and Flanges to 1/2" threaded Hot & Cold water supply pipes.
5. Attach Union Connector to Riser. Install Riser to faucet with 7/8" nylon washer pressed firmly into faucet spout opening. Tighten Connector.
6. Attach 1/2" Street 90 to Diverter using Teflon Tape.
7. Attach Hand Spray Hose to Street 90.
8. Slide Hand Spray Bracket over Diverter pipe.
9. Assemble Mounting Bracket and slide over Riser. Tighten set screw when placed at desired position.
10. Attach Riser to Union Adapter.
11. Secure unit to wall with stainless steel screws by marking position using wall bracket as a guide.
12. Attach Shower Head to Riser. Teflon Tape is not needed.

NOTE: A check valve may be required inside the wall for the hot & cold water supply lines. This part is not provided by The Pool Shower, Inc., but is available through your plumbing contractor.

Optional Hand
Spray Wall Bracket
#BKT-W

ROUNDING IN DIMENSIONS MAY VARY AND ARE SUBJECT TO CHANGE—NO RESPONSIBILITY IS ASSUMED FOR USE OF SUPERCEDED OR VOIDED DATA.



WWW.POOLSHOWER.COM
1-866-SHOWER1

MODEL NUMBER:

WMHC-445-DLX

JOB NAME :

ITEM NO.

SUBMITTED AS SHOWN:

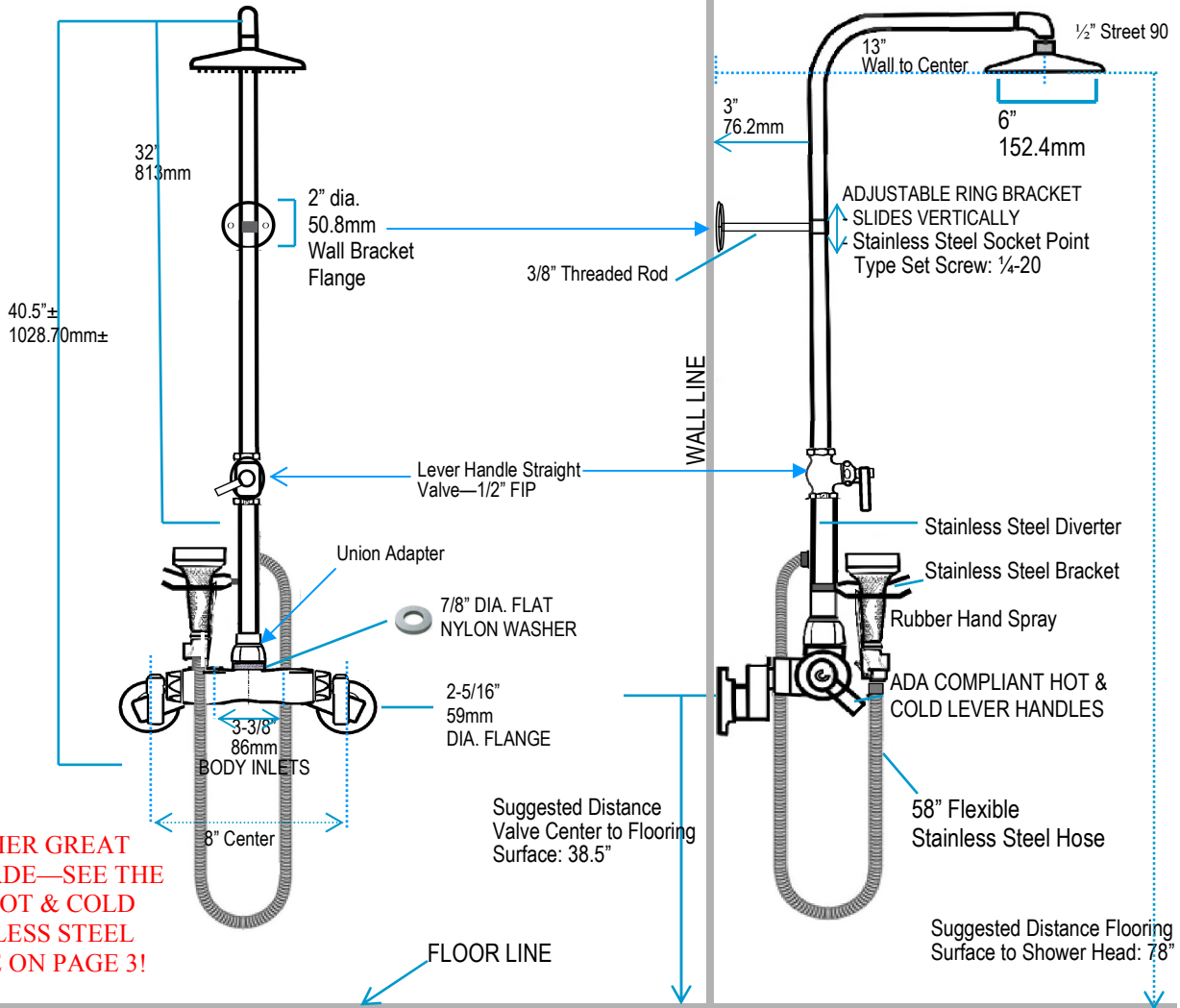
SUBMITTED AS NOTED :

SEE ATTACHED FOR SUBMITTED MODIFICATION :



FRONT VIEW

SIDE VIEW



ANOTHER GREAT UPGRADE—SEE THE NEW HOT & COLD STAINLESS STEEL VALVE ON PAGE 3!

DIMENSIONS MAY VARY PLUS OR MINUS 1/2" (12.7MM)

TECHNICAL DATA:

- EXPOSED WALL MOUNTED TWO VALVE SHOWER FITTING
- FINISH: CHROME PLATED BRASS
- 1/2" X 39" STAINLESS STEEL RISER TBE
- LEVER HANDLES
- 1/2" NPT FEMALE INLETS
- ADJUSTABLE SUPPLY ARMS
- 2.5 GPM SHOWER HEAD
- HAND SPRAY: 1.48 gpm—EPA Act 2005 Compliant
- ASME A112.18.1M COMPLIANT
- CSA B125 COMPLIANT
- CSA B125-93 COMPLIANT

DATE:

BY:

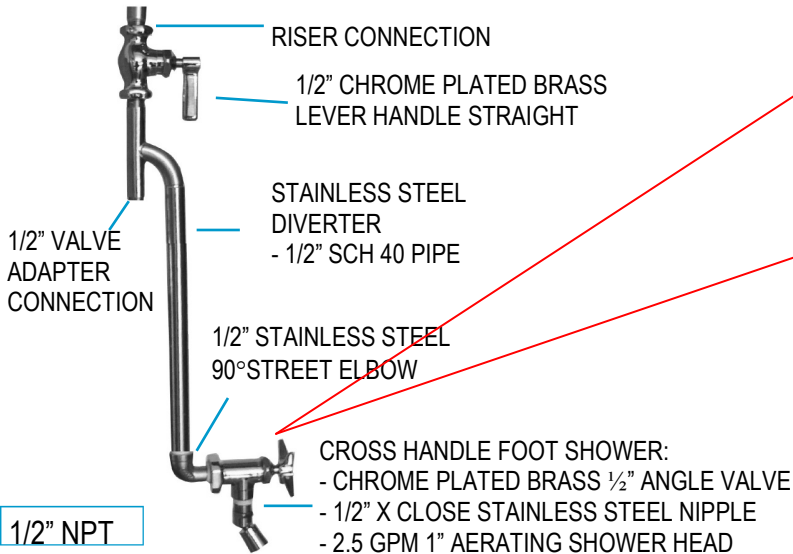
CHCKD:

APP'D:

REV:

WMHC-445 OPTIONAL ACCESSORIES & REPLACEMENT PARTS

AV-442-CHV—OPTIONAL FOOT SHOWER



AVAILABLE WITH HOSE BIBB OR FOOT SHOWER



HBA-158 HOSE BIBB

- CHROME PLATED BRASS WITH VACUUM BREAKER
- 1/2" MIP X 3/4" MHT



ADA COMPLIANT FOOT SHOWER:

AV-442-CHV—USE INSTEAD OF THE CROSS HANDLE VALVE TO CREATE AMERICAN DISABILITY ACT COMPLIANCY.

DEL-78
6" Brass/Chrome



SHDA-6
6" Brass/Chrome



GL150-6"
6" Stainless Steel



HS-83-58—STAINLESS STEEL FLEXIBLE



B-0108-H HAND SPRAY



B-0108 with 1.48 gpm
EPA Act 2005 Compliant

- Forged brass body
- Fast action stainless steel trigger
- Ergonomic design helps reduce fatigue caused by repetitive task
- Retrofits most commercial pre-rinse units and hoses
- Heat insulated touch points on handle with crush resistant grip
- Vandal resistant valve cap
- Tested to two million cycles plus
- Smart one-handed trigger lock
- Removable screen filter
- Quick change replacement parts

NEW! HOT & COLD WALL MOUNT VALVE

Part #SDV-372-8

- 8" Center Spread
- Stainless Steel
- Lever Handles (available with porcelain handles as shown in photo)



NOTE: Flush supply lines before installing valve to remove chips and dirt which can become lodged in the seat washer and cause the faucet to malfunction.

WINTERIZING: It is recommended that a shut-off valve be installed in the water line going to the pool shower connection where freezing temperatures can occur. Accessories can be removed and other parts partially disassembled for complete protection against freeze damage.

FREEZE DAMAGE IS NOT COVERED BY THE WARRANTY.