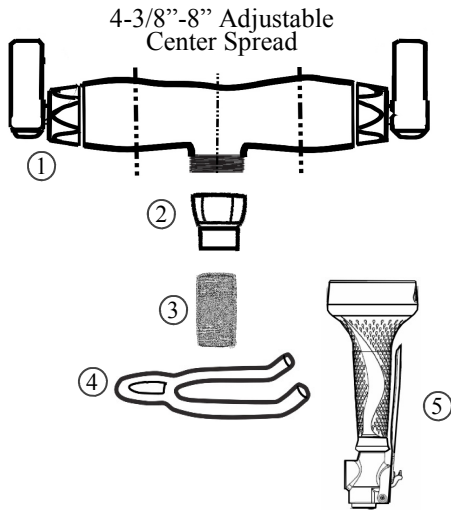


WMHS-8083 - Wall Mount Hot & Cold Hand Spray

The Pool Shower, Inc.
Dallas, Georgia
www.poolshower.com—1-866-shower1



Manufacturers of Quality Stainless Steel Showers



WMHS-8083 PARTS LIST:

- | | |
|-------------|--|
| ① HC-445-CF | Chrome Plated Brass Hot & Cold Valve - 3 ³ / ₈ ” Center - ADA Compliant Lever Handles - Nylon Washer |
| ② BA1 | Union Adapter - 1/2” - 14 NPT Female Inlet—Chrome Plated Brass |
| ③ 1/2X2 NPL | 1/2” X 2” Stainless Steel Nipple |
| ④ KT-P | Hand Spray Bracket with Ring - 1/4” Stainless Steel Rod 3 1/4” X 1 3/4” |
| ⑤ HS-0108 | Hand Spray - Ergonomic Trigger Handle - Built in Check Valve |
| ⑥ HS-83-58 | 58” Flexible Stainless Steel Braided Hose |

Accessories can vary due to availability and slight modifications by the manufacturer. Some parts may be upgraded or substituted upon customer's request.



WMHS-8083 Installation Guidelines

Recommended Water Supply Connection Height: 42”-48”
Water Supply Line threads should be exposed through wall and roughed in with 3 ³/₈” C-C spread.

1. With about 1” of water line threads exposed, place trim flanges over pipes.
2. **NOTE:** Flush supply lines before installing valve.
3. Make sure 7/8” Nylon Washer is secure is valve outlet.
4. Attach Union Adapter to Valve. Tighten Connection.
5. Attach Nipple to Adapter.
6. Slide Hand Spray Bracket over Nipple.
7. Attach Hose to Nipple.

NOTE: A check valve may be required inside the wall for the hot & cold water supply lines. This part is not provided by The Pool Shower, Inc., but is available through your plumbing contractor.

ROUNDING IN DIMENSIONS MAY VARY AND ARE SUBJECT TO CHANGE—NO RESPONSIBILITY IS ASSUMED FOR USE OF SUPERCEDED OR VOIDED DATA.



WWW.POOLSHOWER.COM
1-866-SHOWER1

MODEL NUMBER:

WMHS-8083

JOB NAME :

ITEM NO.

SUBMITTED AS SHOWN:

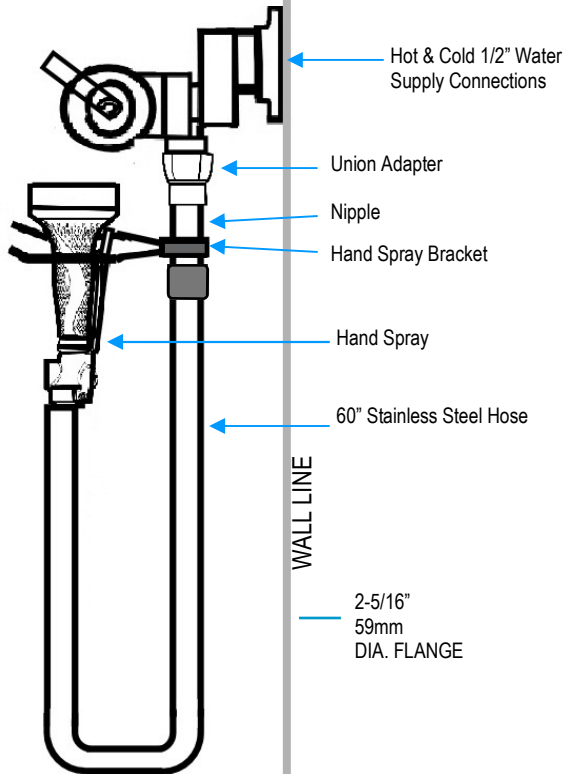
SUBMITTED AS NOTED :

SEE ATTACHED FOR SUBMITTED MODIFICATION :

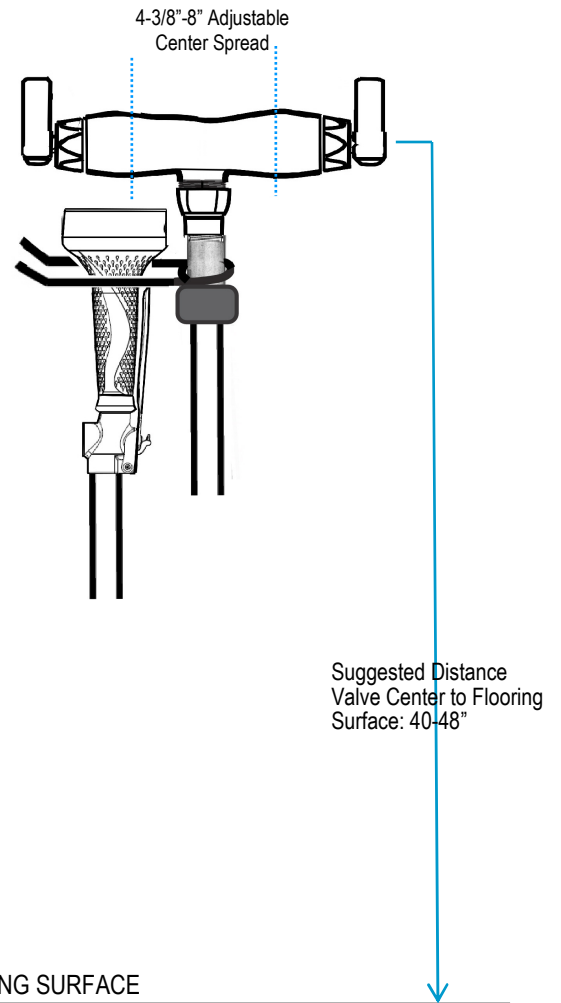


ADA COMPLIANT

SIDE VIEW



FRONT VIEW



DIMENSIONS MAY VARY PLUS OR MINUS 1/2" (12.7MM)

TECHNICAL DATA:

- EXPOSED WALL MOUNTED TWO VALVE SHOWER FITTING
- FINISH: CHROME PLATED BRASS
- LEVER HANDLES
- 1/2" NPT FEMALE INLETS
- ADJUSTABLE SUPPLY ARMS
- HAND SPRAY: 1.48 gpm—EPA 2005 Compliant
- ASME A112.18.1M COMPLIANT
- CSA B125 COMPLIANT
- CSA B125-93 COMPLIANT

DATE:

BY:

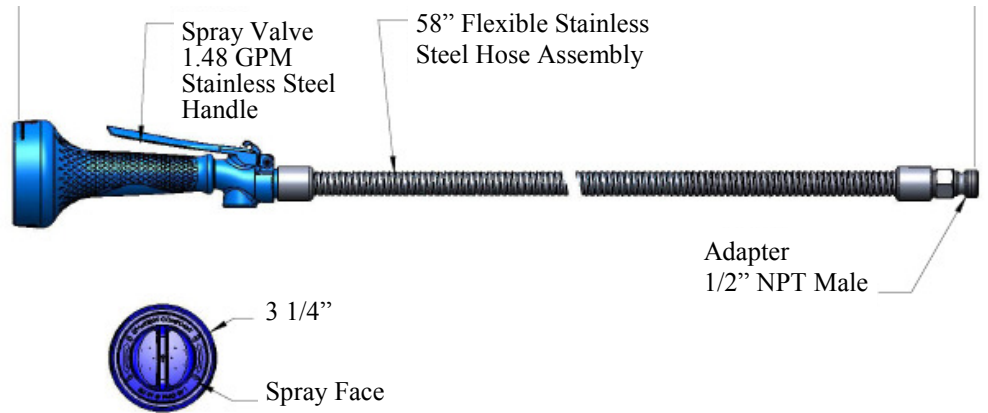
CHCKD:

APP'D:

REV:

WMHS-8083 ACCESSORIES & REPLACEMENT PARTS

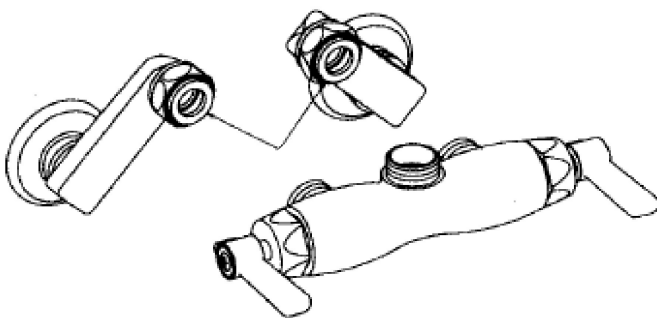
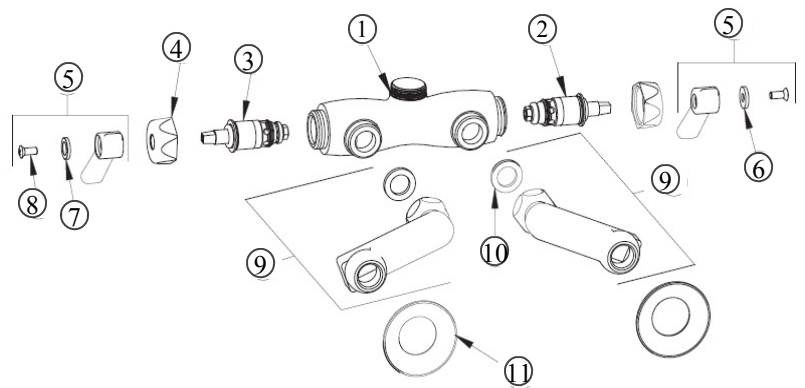
HS-8083 HAND SPRAY & HOSE



B-0108 with 1.48 gpm
EPA Act 2005 Compliant

- Forged brass body
- Fast action stainless steel trigger
- Ergonomic design helps reduce fatigue caused by repetitive task
- Retrofits most commercial pre-rinse units and hoses
- Heat insulated touch points on handle with crush resistant grip
- Vandal resistant valve cap
- Tested to two million cycles plus
- Smart one-handed trigger lock
- Removable screen filter
- Quick change replacement parts

HC-445-CF HOT & COLD WALL MOUNT VALVE



- | | |
|-------------------------|-------------------------|
| ① VALVE BODY | ⑨ ARM ASSEMBLY w/WASHER |
| ② LH QUATURN UNIT | ⑩ WASHER |
| ③ RH QUATURN UNIT | ⑪ FLANGE |
| ④ CAP NUT | |
| ⑤ LEVER HANDLE ASSEMBLY | |
| ⑥ INDEX BUTTON (RED) | |
| ⑦ INDEX BUTTON (BLUE) | |
| ⑧ SCREW | |

NOTE: Flush supply lines before installing valve to remove chips and dirt which can become lodged in the seat washer and cause the faucet to malfunction.

WINTERIZING: It is recommended that a shut-off valve be installed in the water line going to the pool shower connection where freezing temperatures can occur. Accessories can be removed and other parts partially disassembled for complete protection against freeze damage.

FREEZE DAMAGE IS NOT COVERED BY THE WARRANTY.