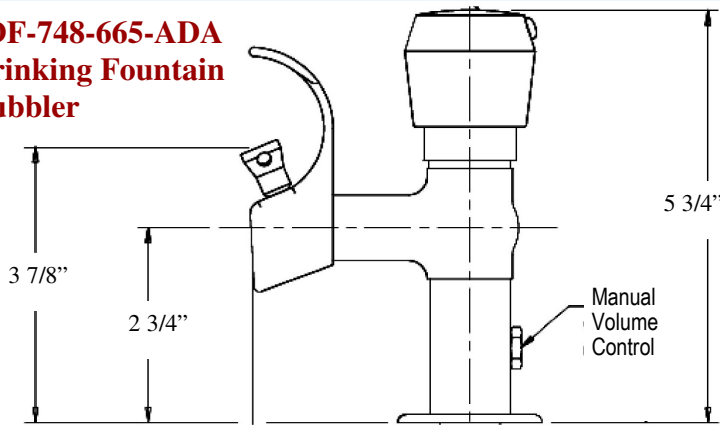


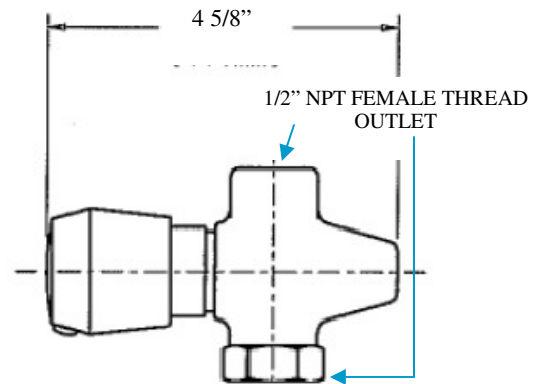
ADA METERED PUSH VALVE TIMING & SPECS

ADA METERED PUSH VALVE TIMING & SPECS

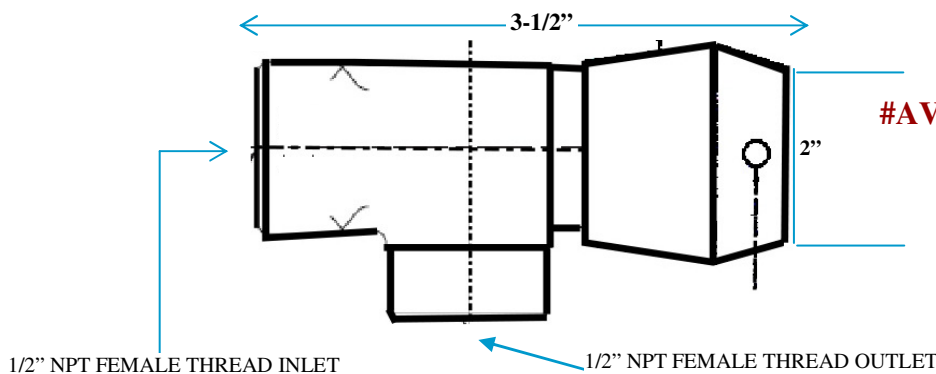
#DF-748-665-ADA Drinking Fountain Bubbler



#SV-ADA-339-665 Straight Valve



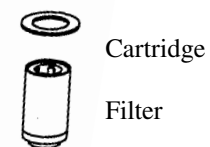
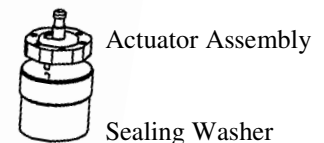
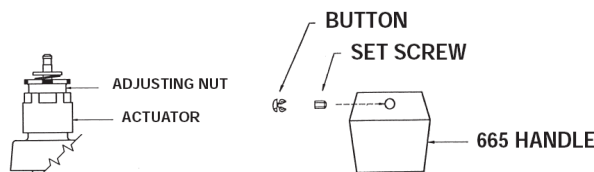
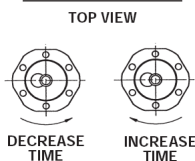
#AV-442-ADA Angle Valve



ADA COMPLIANT

METERED PUSH VALVE TROUBLESHOOTING & TIMING

HOW TO ADJUST



NOTE: If leak occurs at cap gasket, remove gasket and inspect it for damage and replace it if necessary. If the gasket is in good condition, inspect the body surface for scratches or nicks and clean up the surface by reaming if necessary.

TIMING ADJUSTMENT:

These instructions are for the user to adjust the faucet to provide a flow rate to meet the American Disability Act (ADA) regulations which require 10 seconds running time for the water flow. For ADA compliance follow these procedures:

NOTE: Timing must be checked with the handle in place.

- Purge the valve of air by pushing it completely open 4-8 times rapidly and then check the timing cycle.
- Remove the handle with a 3/32" hex wrench.
- Time is changed by rotating plastic serrated adjustment nut with a pair of pliers. Raising nut (counter clockwise) shortens time, lowering nut (clockwise) lengthens time.
- After each adjustment, replace handle and check cycle time.
- Once cycle time is satisfactory, lock handle in place making sure set screw is securely fastened on groove in stem. Insert the colored index button.