

# Outdoor Shower Company, LLC

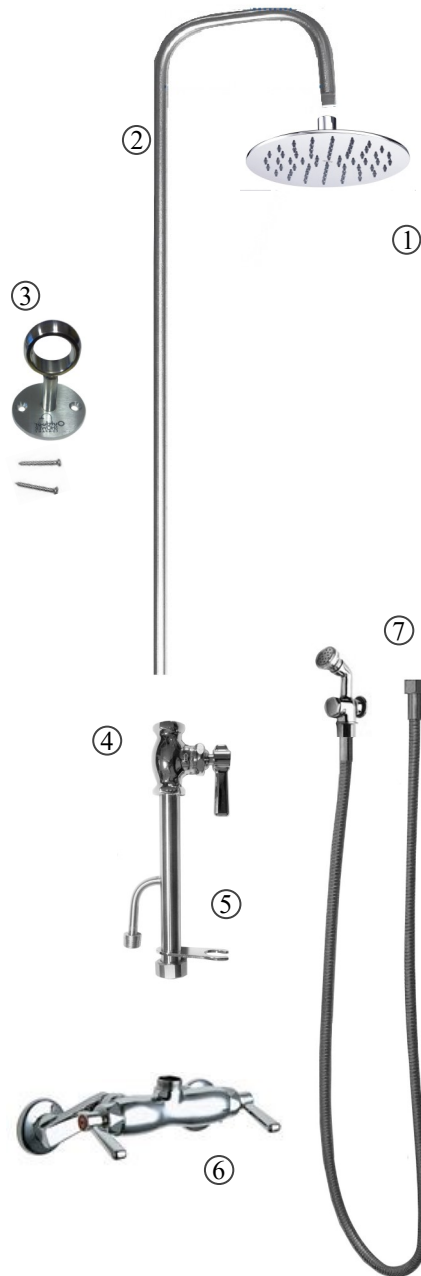
Dallas, Georgia

www.outdoorshowerco.com — 1-866-746-9371

Manufacturers of Quality Outdoor Stainless Steel Showers



WMHC-445-DLX - Wall Mount Hot & Cold Shower - Hand Spray & Hose - 8" Shower Head



## WMHC-445-DLX PARTS LIST:

- 1) SHG-175-8 8" Rain Shower Head - Stainless Steel Body - Brass Swivel Ball Joint (1.75gpm)
- 2) SR-35-90 35" Stainless Steel Riser - 90° bend
- 3) WB-3 3" Stainless Steel Wall Bracket with (2) Screws
- 4) LHSV-369 Lever Handle Chrome Plated Brass Straight Valve
- 5) DIV-82012-HS Stainless Steel Diverter with Hand Spray Bracket and Connection - Swivel Adapter for Valve Connection with Nylon Washer
- 6) HC-445 Hot & Cold Lever Handle Chrome Plated Brass Valve - ADA Compliant - 1/2" NPT Supply Arms with 3"-8" Center Spread
- 7) HSH-0101-60 Chrome Plated Brass Hand Spray (1.2gpm) with 60" Stainless Steel Flexible Hose

Accessories may vary due to availability and slight modifications by the manufacturer.

## WMHC-445-DLX Installation Guidelines

Recommended Shower Head Height: 79"

Water Supply Line threads should be exposed through wall and roughed in at 40"- 41" from flooring surface with 4"-8" spread.

1. With about 1" of water line threads exposed through mounting surface, place trim flanges over Hot & Cold water supply pipes.
2. Attach Supply Arms to Hot & Cold water supply pipes.
3. **NOTE:** Flush supply lines before installing valve.
4. Adjust supply arms to desired centers making sure washers are in place.
5. Tighten arms to body with 12" crescent wrench making sure fitting is level.
6. Slide Wall Bracket onto Riser. Tighten set screw when placed at desired position.
7. Attach Riser to Lever Handle Straight Valve/Diverter piece using Teflon Tape.
8. Attach Diverter to faucet making sure washer is in place and riser is facing forward.
9. Secure unit to wall with stainless steel screws by marking position on the wall using wall bracket as a guide.
10. Attach Shower Head to Riser. Teflon Tape is not needed.
11. Attach Hand Spray Hose to connection on Diverter piece. Tighten all connections.

NOTE: It is the responsibility of the purchaser and/or installer to ensure all local or state plumbing codes are observed.

**NOTE:** Flush supply lines before installing valve to remove chips and dirt which can become lodged in the seat washer and cause the faucet to malfunction.

**WINTERIZING:** A cut-off valve should be installed in the water line in freezing climates so that the unit can properly drain. In extremely cold climates, the best option is to remove the entire shower unit and store it during the winter months, but if that is not possible, it is ad-visable to remove the faucet handles, cartridges, and all accessories. See WINTERIZING for additional information.

**FREEZE DAMAGE IS NOT COVERED BY THE WARRANTY**

Outdoor Shower Company, LLC  
 Dallas, Georgia

www.outdoorshowerco.com — 1-866-746-9371

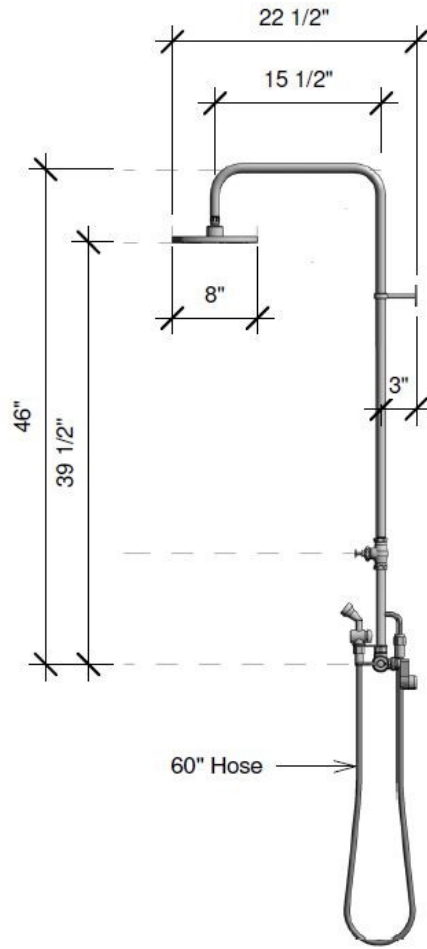
Manufacturers of Quality Outdoor Stainless Steel Showers



**FRONT VIEW**



**SIDE VIEW**



**TECHNICAL DATA:**

- 1.75 GPM 8" STAINLESS STEEL SHOWER HEAD WITH BRASS SWIVEL JOINT
- 1/2" STAINLESS STEEL RISER
- CHROME PLATED BRASS HOT & COLD VALVE
- CHROME PLATED BRASS DIVERTER VALVE
- ADA COMPLIANT LEVER HANDLES
- 4"-8" CENTER SPREAD
- 1/2" NPT INLETS
- 1.2 GPM CHROME PLATED BRASS HAND SPRAY
- 60" STAINLESS STEEL FLEXIBLE HOSE

**WMHC-445-DLX OPTIONAL ACCESSORIES**

**WMHC-445-DLX-FS (shown)  
 HAND SPRAY & FOOT SHOWER**

- STAINLESS STEEL FOOT SHOWER VALVE
- ADA COMPLIANT LEVER HANDLE
- 1" CHROME PLATED BRASS SHOWER HEAD (2.5 gpm)
- CHROME PLATED BRASS HAND SPRAY (1.2 gpm)
- 60" STAINLESS STEEL FLEXIBLE HOSE

**PLEASE NOTE:** The **FOOT SHOWER** comes standard with a Lever Handle; however, a Cross Handle or ADA Metered Push Handle are available upon request.

**WMHC-445-DLX-HB  
 HAND SPRAY & HOSE BIBB**



- STAINLESS STEEL HOSE BIBB VALVE
- MANUAL TURN CROSS HANDLE (LEVER HANDLE SHOWN)
- CHROME PLATED BRASS VACUUM BREAKER 3/4" MHT
- CHROME PLATED BRASS HAND SPRAY (1.2 gpm)
- 60" STAINLESS STEEL FLEXIBLE HOSE

**PLEASE NOTE:** The **HOSE BIBB** comes standard with a Cross Handle. A Lever Handle valve is shown.



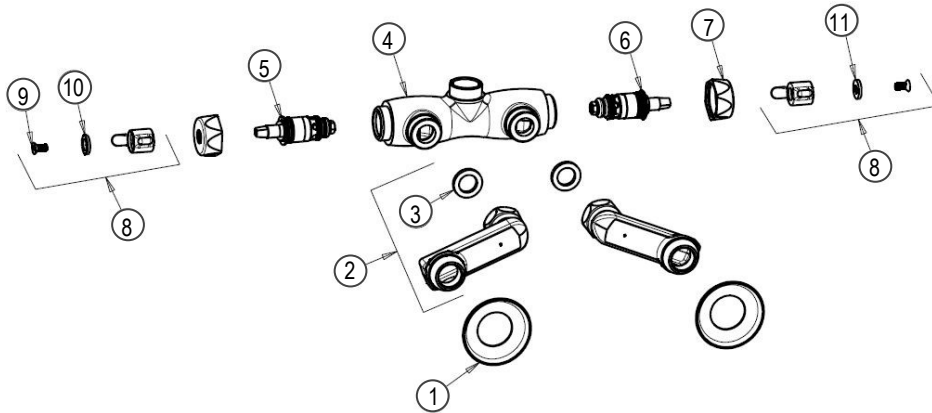
Outdoor Shower Company, LLC  
Dallas, Georgia

www.outdoorshowerco.com — 1-866-746-9371

Manufacturers of Quality Outdoor Stainless Steel Showers

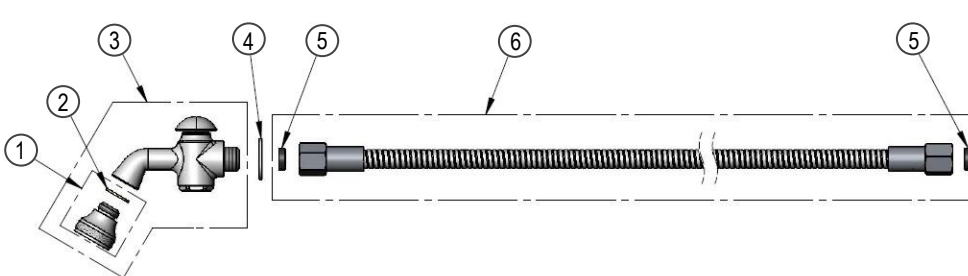
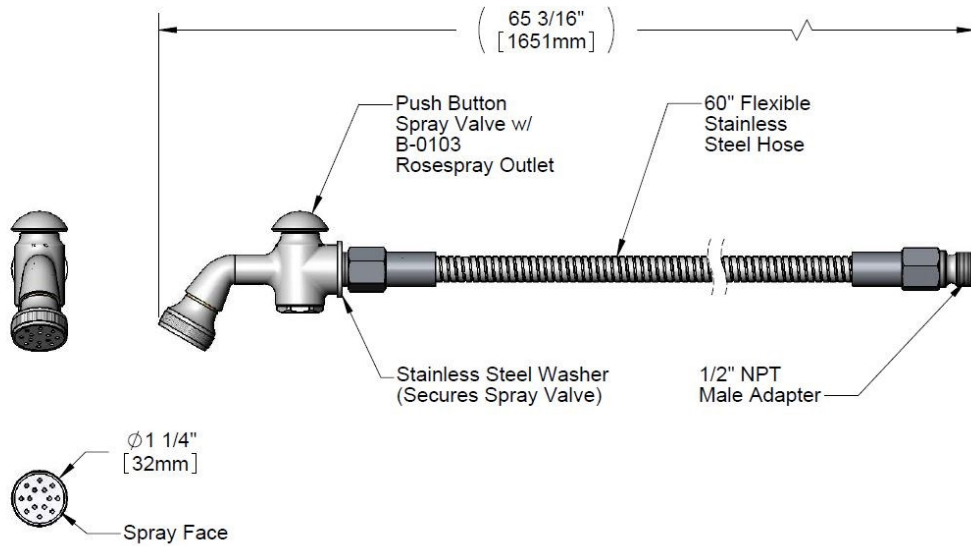


**HC-445 VALVE PARTS**



- ① FLANGE
- ② ARM ASSEMBLY w/WASHER
- ③ WASHER
- ④ VALVE BODY (not sold separately)
- ⑤ QUATURN CARTRIDGE (RH)
- ⑥ QUATURN CARTRIDGE (LH)
- ⑦ CAP
- ⑧ LEVER HANDLE ASSEMBLY
- ⑨ SCREW
- ⑩ INDEX BUTTON (BLUE)
- ⑪ INDEX BUTTON (RED)

**HSH-0101-60 HAND SPRAY & HOSE**



- ① ROSESPRAY OUTLET (1.2gpm)
- ② 13/16" RUBBER WASHER
- ③ SPRAY VALVE
- ④ 1-1/4" STAINLESS STEEL WASHER
- ⑤ 11/16" RUBBER WASHER
- ⑥ 60" FLEXIBLE STAINLESS STEEL HOSE